



Logger & Data-Link Series

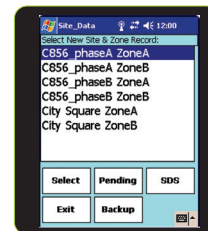
Our Logger & Data-Link series provides a high quality, low cost and seamless integration between the front-end sensor and your database requirements. This series includes:

- Software for Data Logging
- Data Logger equipments
- Data transmission system



Software

Mobile Data (SE-PDA105L)



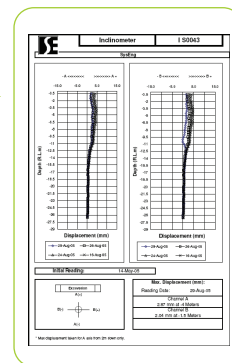
Mobile Data is a PocketPC application specially designed for field data capture and database queries. This basic software is **freeware** provided for our customer.

The software options include Wire-less connectivity between central data depository host and field users. This enable field Instrument Readings to be seamlessly transmitted to your office database and automatically generate report for engineers to analyze without the need for re-entry of written data into PC.



Logger

Semi-Auto Inclinometer (SE-5102L)



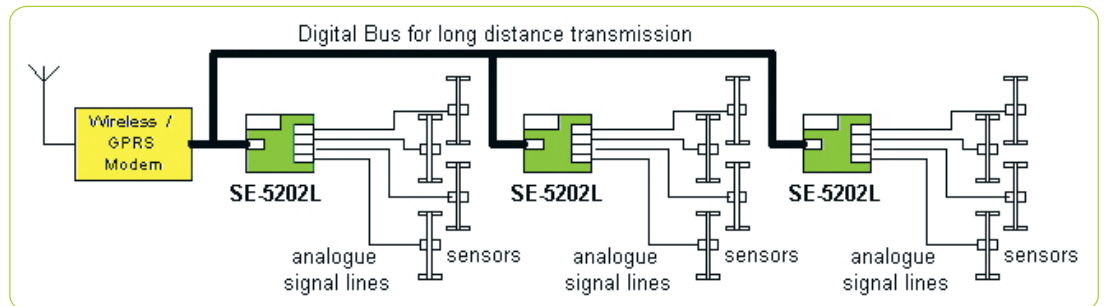
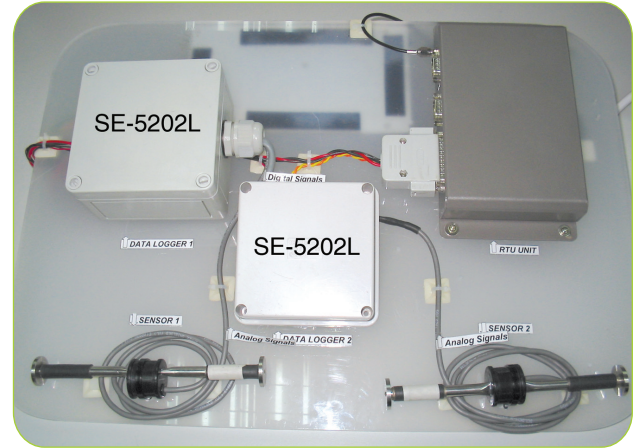
Automatic Report Generation

Semi-Automatic Inclinometer System to retrieve Readout Box data via Wire-less means to your Office PC in Real Time at < 2 mins. Automatic Soil Profile report generation without the need to connect the read out box to a PC nor need to bring the Readout box from site back to office to maximize instrument usage at site to increase profits. Redeploys skilled manpower for more value added work. System has been used with Geokon and SINCO inclinometer readout boxes.



Logger Multi-drop System (SE-5202L)

SE-5202L is a versatile measurement equipment. The multi-drop or daisy-chain wiring configuration gives a huge saving in setup and on-site maintenance costs. This further minimize troubleshooting time in case of wiring damages during monitoring operation.



The multi-drop allow the user to place each SE-5202L close to the front-end sensors. By keeping these analogue signal lines between loggers and sensors short, it greatly increases the system's noise immunity. Noise immunity is a perpetual problem in providing high quality data on site. The SE-5202L converts the sensor signal into digital format before using the multi-drop digital bus as the long distance transmission workhorse.

Couple with SE-5203L or a wireless modem, it enable seamless streaming of real-time data to back-end database services. The multi-drop SE-5202L can also be attached to any PC available on-site directly data logging and configuration. PC software for data logging come free with the system.



Data Link RTCU (SE-5302L)



Powerful **M2M** Product designed and manufactured by an established Danish company, Logic IO. The product range has programmable embedded micro-controller with multi-tasking language similar to BASIC/PASCAL. The range covers SMS/GSM/GPRS with Analog inputs, Digital I/Os and optional GPS receivers. The units can be powered from mains or 12v car batteries with powerful power management features.